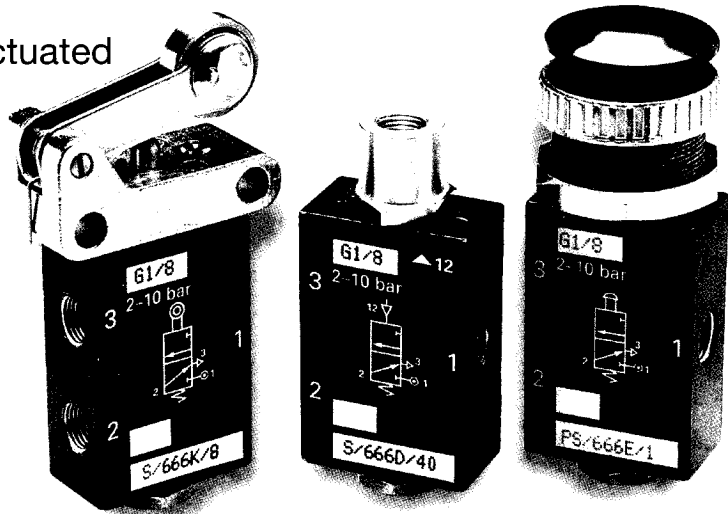


**S/666, S/667**

Pilot, Mechanically &amp; Manually Actuated

**In-Line**3/2, G<sup>1</sup>/<sub>8</sub>**FEATURES**

**Poppet design – high flow with compact size.**

**Extensive range of mechanical and manual operators.**

**Long established design – proven reliability.**

**Normally open and normally closed models.**

**TECHNICAL DATA****Medium:**

Compressed air, filtered, lubricated and non lubricated.

**Panel Mounting:**

Hole size Ø29mm  
(Ø16 mm lever valves)  
Thickness 9,5 mm  
(4 mm lever valves)

**Operating Pressure:**

2-10 bar

**Flow:**

N/C 197l/min  
N/O 177l/min

**Ambient Temperature:**

-20°C to +80°C.  
Consult our Technical Service for use below +2°C.

**MATERIALS**

Body: die-cast zinc alloy  
Piston: plastic  
Seals: nitrile

**Pilot**

G1/8	3/2 N/C	Pilot/Spring	<b>S/666/40</b>	0,20	<b>QS/666/40/00</b>
	N/O	Pilot/Spring	<b>S/667/40</b>	0,20	<b>QS/667/40/00</b>

**Mechanical**

G1/8	3/2 N/C	Plunger/Spring	<b>S/666/14</b>	0,20	<b>QS/666/1/00</b>
	N/O	Plunger/Spring	<b>S/667/14</b>	0,20	<b>QS/667/1/00</b>
	N/C	Roller/Spring	<b>S/666/8</b>	0,30	<b>QS/666/1/00</b>
	N/O	Roller/Spring	<b>S/667/8</b>	0,30	<b>QS/667/1/00</b>
	N/C	Variable Roller/Spring	<b>S/666/108</b>	0,30	<b>QS/666/1/00</b>
	N/C	One-way Trip/Spring	<b>S/666/48</b>	0,30	<b>QS/666/48/00</b>
	N/O	One-way Trip/Spring	<b>S/667/48</b>	0,30	<b>QS/667/48/00</b>
	N/C	Variable Rod/Spring	<b>S/666/106</b>	0,30	<b>QS/666/1/00</b>
	N/C	Antenna Spring/Spring	<b>S/666/116</b>	0,30	<b>QS/666/1/00</b>
	N/C	Antenna Spring Rod/Spring	<b>S/666/126</b>	0,30	<b>QS/666/1/00</b>

**Manual**

G1/8	3/2 N/C	Button/Spring	–	<b>S/666/1</b>	0,20	<b>QS/666/1/00</b>
	N/C	Button (Panel mounted) /Spring	Red	<b>PS/666/1/R</b>	0,20	<b>QS/666/1/00</b>
	N/C	Button (Panel mounted) /Spring	Green	<b>PS/666/1/G</b>	0,20	<b>QS/666/1/00</b>
	N/C	Button (Panel mounted) /Spring	Black	<b>PS/666/1/N</b>	0,20	<b>QS/666/1/00</b>
	N/O	Button (Panel mounted) /Spring	Red	<b>PS/667/1/R</b>	0,20	<b>QS/667/1/00</b>
	N/O	Button (Panel mounted) /Spring	Green	<b>PS/667/1/G</b>	0,20	<b>QS/667/1/00</b>
	N/O	Button (Panel mounted) /Spring	Black	<b>PS/667/1/N</b>	0,20	<b>QS/667/1/00</b>
	N/C	Button (Shrouded) /Spring	Red	<b>S/666/51/R</b>	0,30	<b>QS/666/1/00</b>
	N/C	Button (Shrouded) /Spring	Green	<b>S/666/51/G</b>	0,30	<b>QS/666/1/00</b>
	N/C	Button (Shrouded) /Spring	Silver	<b>S/666/51/S</b>	0,30	<b>QS/666/1/00</b>
	N/O	Button (Shrouded) /Spring	Red	<b>S/667/51/R</b>	0,30	<b>QS/667/1/00</b>
	N/O	Button (Shrouded) /Spring	Green	<b>S/667/51/G</b>	0,30	<b>QS/667/1/00</b>
	N/O	Button (Shrouded) /Spring	Silver	<b>S/667/51/S</b>	0,30	<b>QS/667/1/00</b>
	N/C	Button (Palm) /Spring	Red	<b>S/666/83/R</b>	0,30	<b>QS/666/1/00</b>
	N/C	Button (Palm) /Spring	Green	<b>S/666/83/G</b>	0,30	<b>QS/666/1/00</b>
	N/C	Button (Palm) /Spring	Silver	<b>S/666/83/S</b>	0,30	<b>QS/666/1/00</b>
	N/C	Lever/Spring (panel mounting)	–	<b>S/666/6</b>	0,30	<b>QS/666/1/00</b>
	N/C	Lever/Lever (panel mounting)	–	<b>S/666/7</b>	0,30	<b>QS/666/1/00</b>
	N/C	Lever (Long)/Lever (panel mounting)	–	<b>S/666/117</b>	0,30	<b>QS/666/1/00</b>
	N/C	Rotary knob/Rotary knob	–	<b>S/666/307</b>	0,30	<b>QS/666/1/00</b>
	N/C	Key/Key	–	<b>S/666/49</b>	0,30	<b>QS/666/1/00</b>

Data Sheet Ref: 066 98

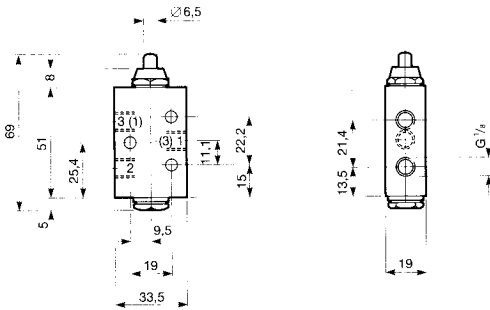
**S/666, S/667**

Pilot, Mechanically & Manually Actuated

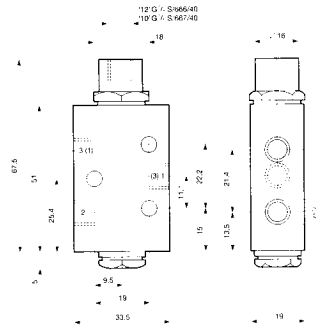
In-Line  
3/2, G<sup>1/8</sup>

**DIMENSIONS**

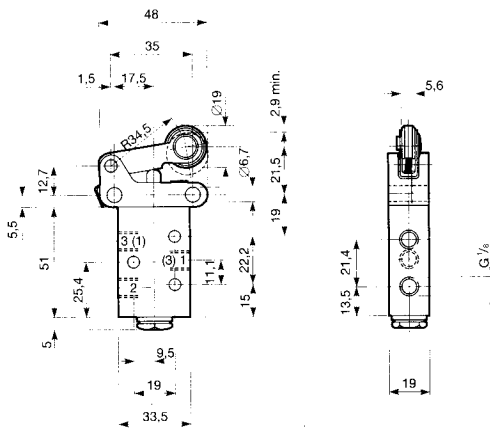
S/666/14, S/667/14



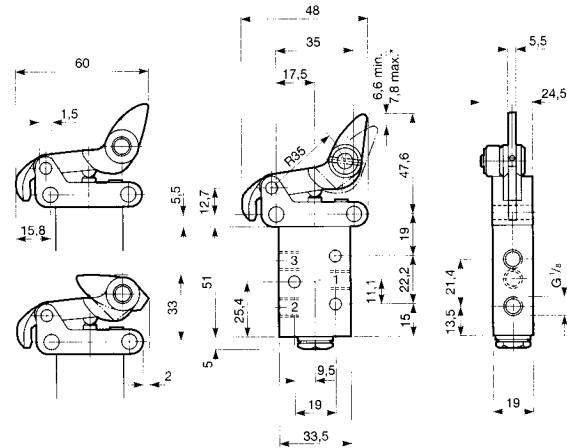
S/666/40, S/667/40



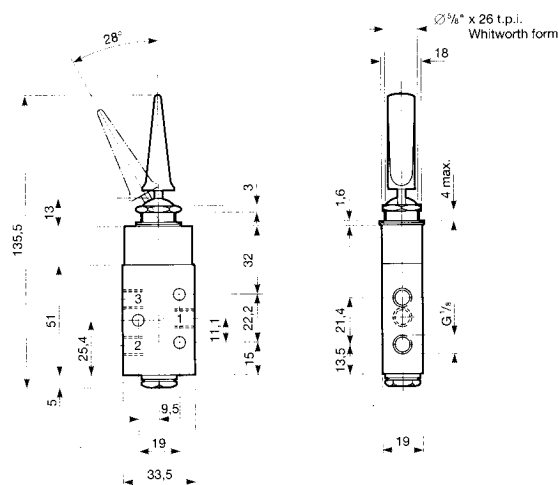
S/666/8, S/667/8



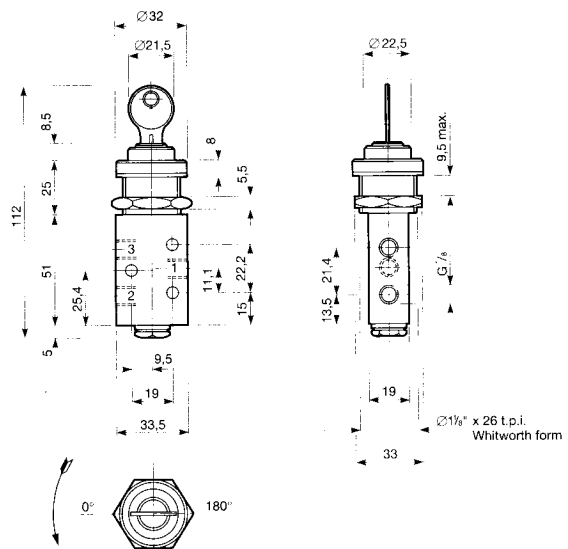
S/666/48, S/667/48



S/666/6



S/666/49



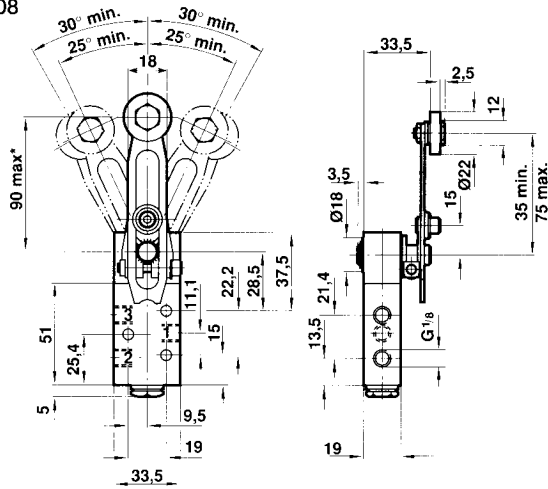
# S/666, S/667

Pilot, Mechanically & Manually Actuated

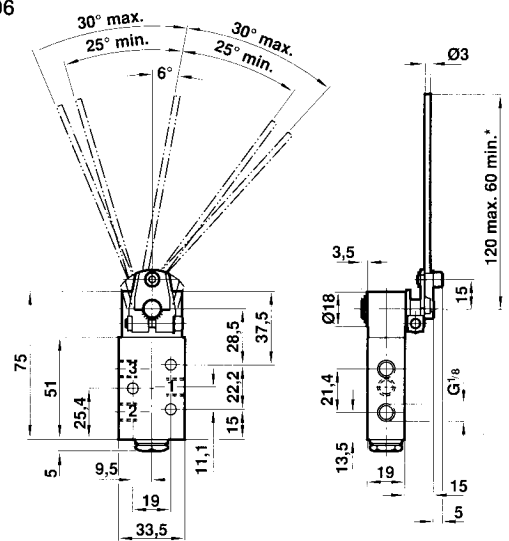
In-Line

3/2, G<sup>1/8</sup>

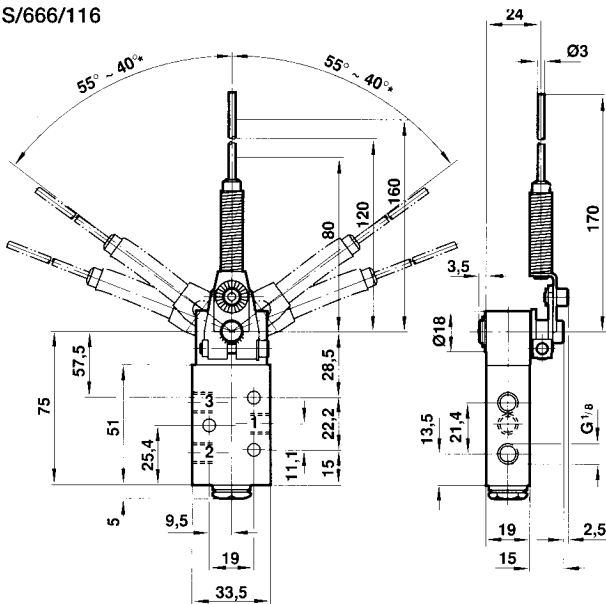
S/666/108



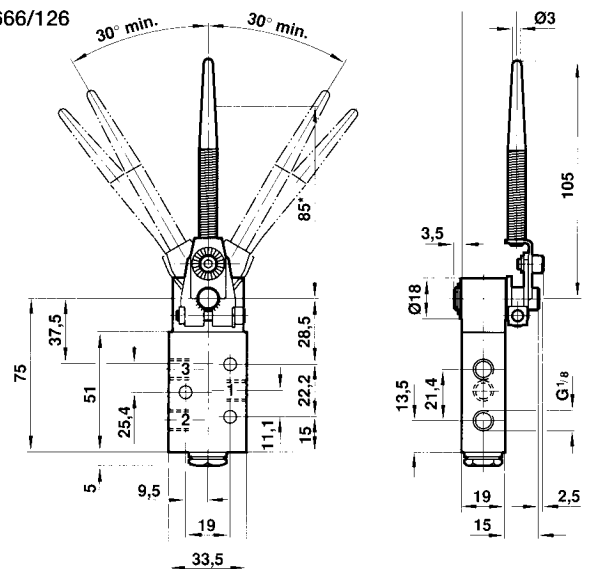
S/666/106



S/666/116



S/666/126

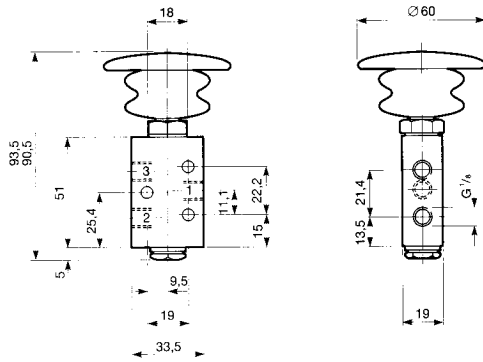


# S/666, S/667

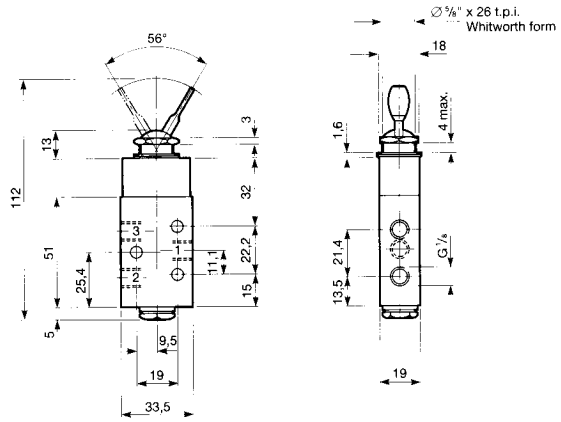
Pilot, Mechanically & Manually Actuated

In-Line  
3/2, G<sup>1</sup>/<sub>8</sub>

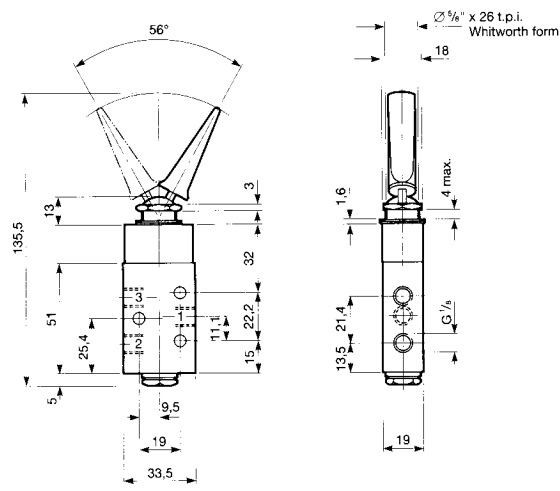
S/666/83/R, S/666/83/G, S/666/83/S



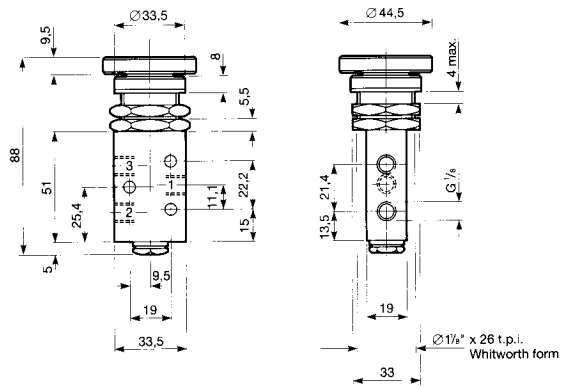
S/666/7



S/666/117



S/666/307



S/666/1

